

For Product Step File or 3D Model Send a Request Mail To info@nrack.com



Photo View

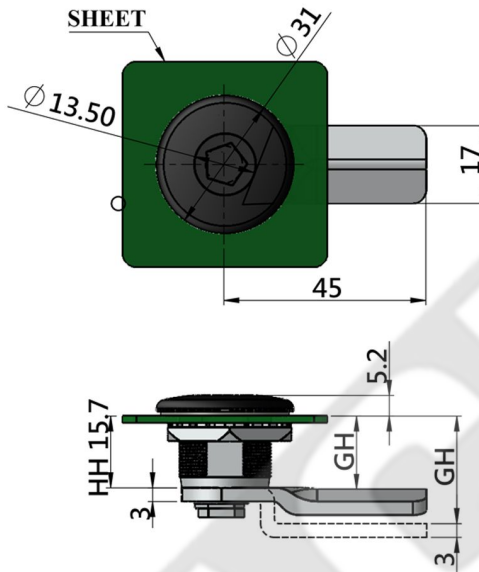
MS 815 - 1

MS 815 - 2

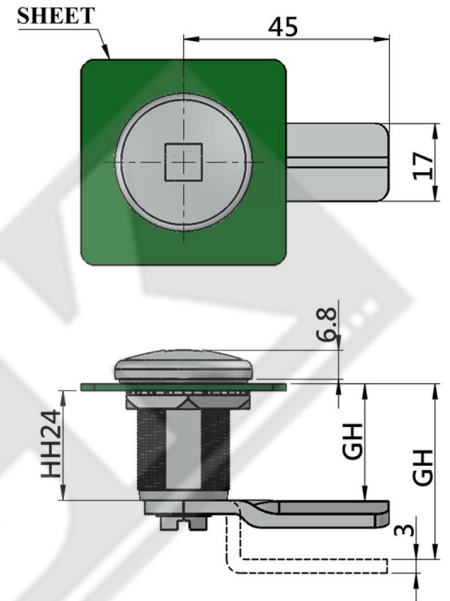


MS 815 - 3

MS 815 - 4

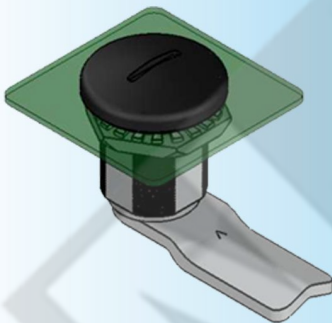


MS 815-1/-2/-3/-4



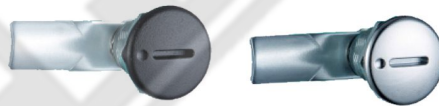
MS815-1A/-2A/3A

3D Rendered View



MS 815 - 1A

MS 815 - 3A



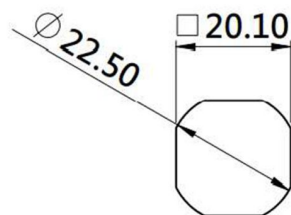
MS 815 - 2A

MS 815 - 2B



MS 815

- Material: zinc alloy lock, lock shell, carbon steel Lock plate, not embroidered shrapnel
- Finish: sand grain black, sandblasting bright plating chromium
- Remarks: 90 ° rotation to achieve open or Locking.
- Panel thickness: 1 ~ 10 mm



CUT OUT

HOUSING HEIGHT (HH)	GRIPPING HEIGHT (GH)	BENDING HEIGHT (BH)
15.7	15.7	00
	20	4.3
	25	9.3
	30	14.3
24	24	00
	30	05